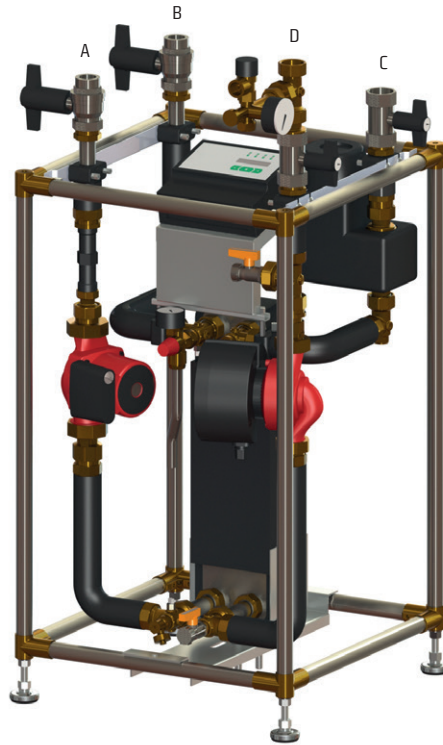


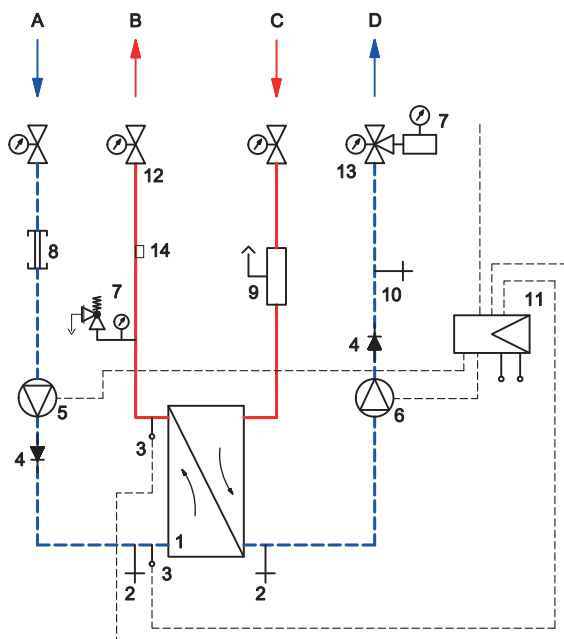
Solar separation station STS-S500

STS-S500-20 up to 75 m² ↗ STS-S500-40 up to 150 m² ↗ STS-S500-60 up to 250 m²

↗ Basic unit



↗ Hydraulic diagram



- A Return to buffer storage
- B Flow to buffer storage
- C Flow solar
- D Return solar

- 1 Plate heat exchanger GBS 500H-20, GBS 500H-40, GBS 500H-60
- 2 Emptying, 3/4" hose connection
- 3 Screw-in sensor
- 4 Backflow preventer
- 5 Recirculating pump, secondary
- 6 Recirculating pump, primary
- 7 Safety assembly
- 8 Adapter for solar yield measuring set
- 9 Ventilation unit
- 10 Rinsing unit
- 11 Solar controller
- 12 Ball valve with thermometer
- 13 3-way ball valve with thermometer
- 14 Sensor pocket WMZ M10x1, wet submerging

↗ Technical data

Materials

Fittings	Sanitary: CW 617 N Heating: CW 617 N, partially CW614N
Seal	OHA-Press
Thermal insulation	EPP
Heat exchanger	Plates: 1.4404 Solder: copper Pipeline: 1.4401

Electrical

Power connection	230 V / 50 Hz
------------------	---------------

Dimensions

Width x height x depth	1200 x 1350 x 600 mm
Weight	approx. 120 kg (with 20 plates) approx. 122 kg (with 40 plates) approx. 124 kg (with 60 plates)

Solar/heating

Max. operating pressure	PN 6
Max. temperature	120 °C, short time up until 130 °C

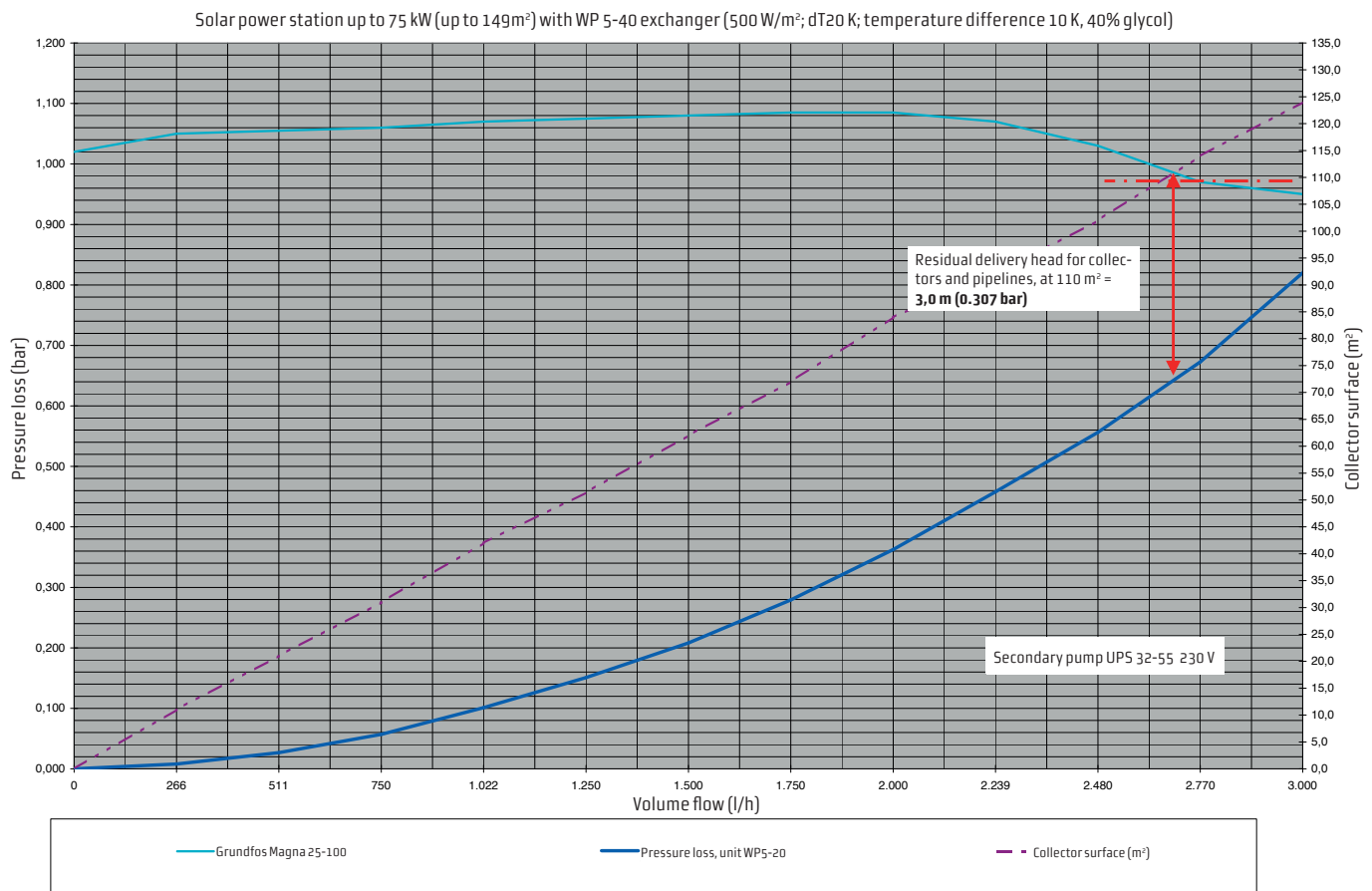
Article no.

102 484 6	STS-S500-20, DN 25, up to 75 m ² , Magna 25-100, UPS 32-55
102 484 7	STS-S500-40, DN 32, up to 150 m ² , Magna 32-100, UPS 32-55
102 484 8	STS-S500-60, DN 32, up to 250 m ² , Magna 32-120, UPS 32-80

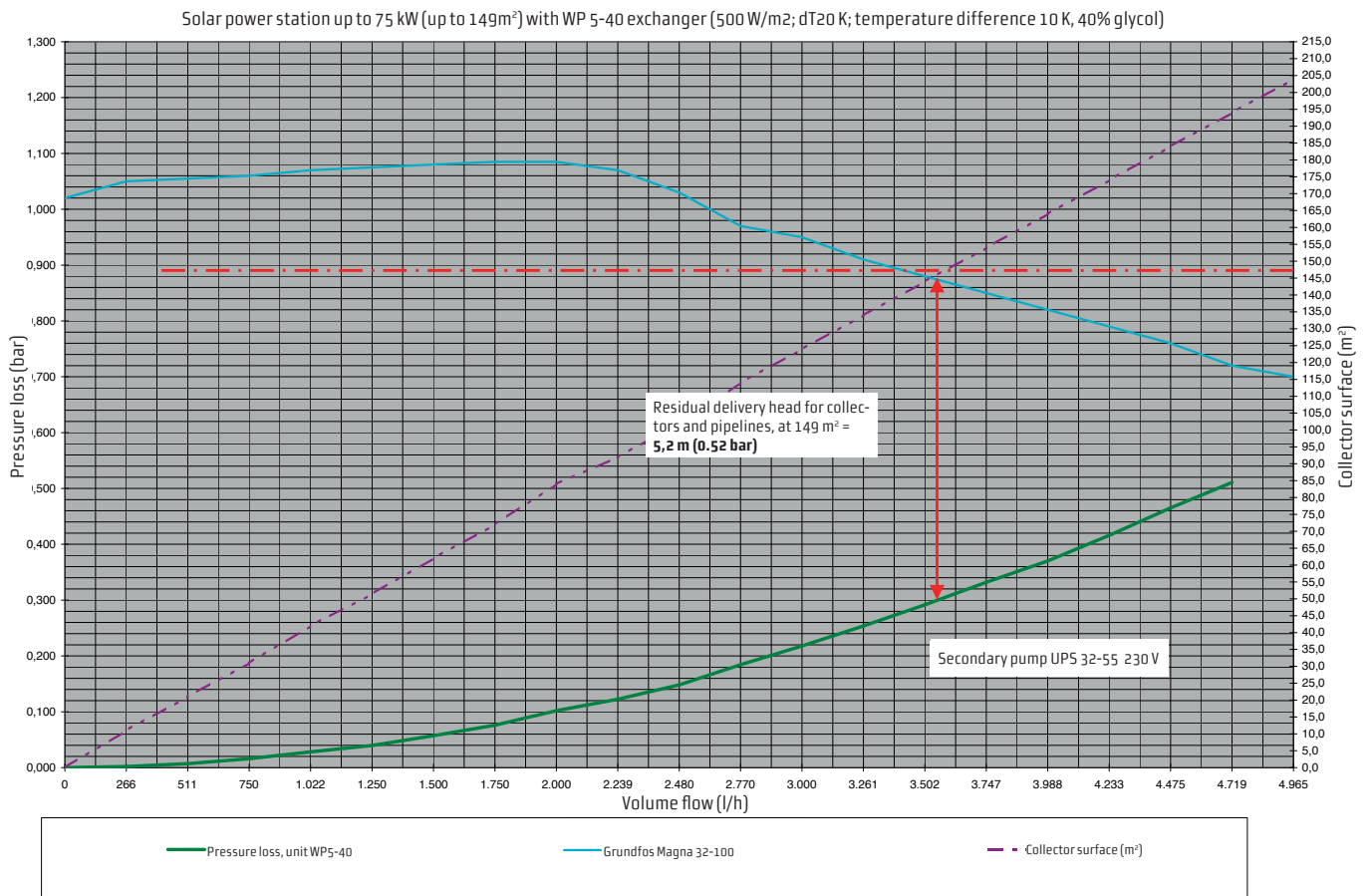
Sanitary

If a bronze pump is installed, it is possible also to fill the drinking water storage

↗ Characteristic line diagram STS-S500-20, up to 75 m²



➤ Characteristic line diagram STS-S500-40, up to 150 m²



↗ **Characteristic line diagram STS-S500-60, up to 250 m²**

