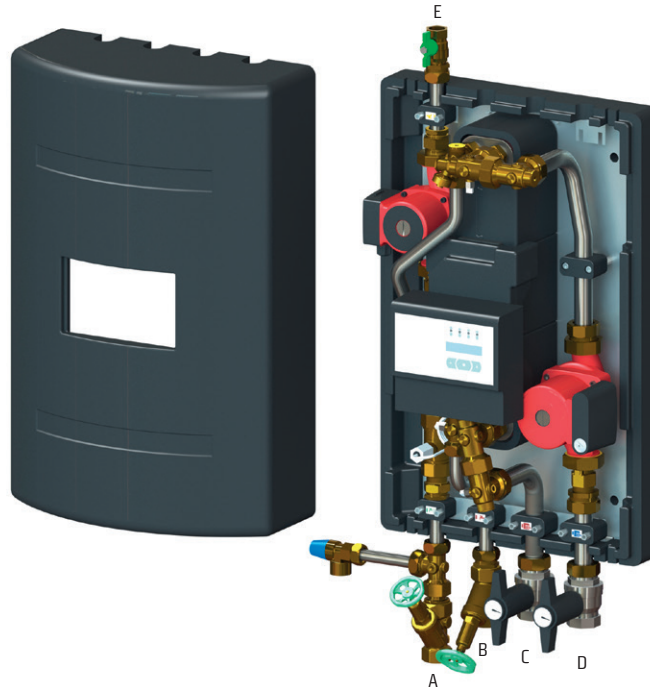


Fresh water unit FWS-V400

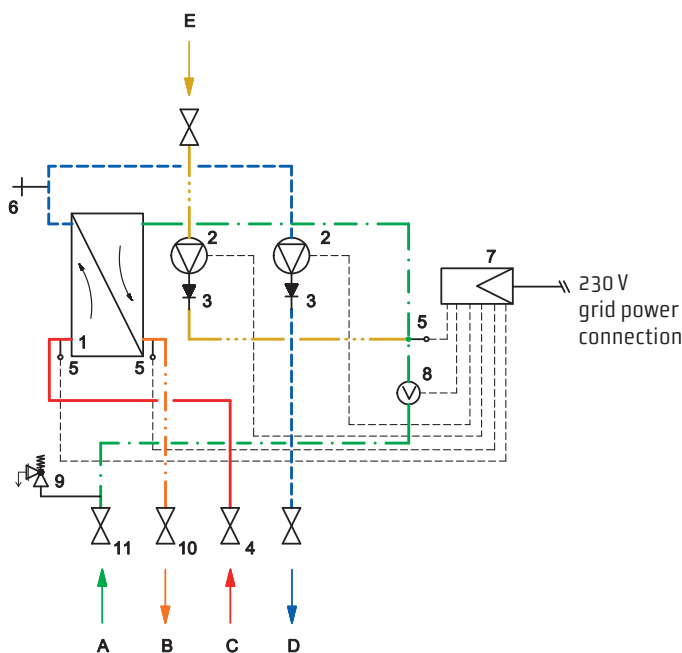
FWS-V400-40 with process water circulation

FWS-V400-40 without process water circulation

➤ Equipment example with mit process water circulation



➤ Hydraulic diagram



- A Drinking water from the line
- B Domestic hot water home
- C Heating flow, primary
- D Heating return, primary
- E Process water circulation

- 1 Plate heat exchanger GBS 240H-40
- 2 Pump
- 3 Backflow preventer
- 4 Shut-off ball valves
- 5 Sensor
- 6 Emptying 3/4" hose connection
- 7 Controller
- 8 Volume flow gauge
- 9 Safety connection assembly
- 10 Free flow valve
- 11 Free flow valve with backflow preventer

↗ Technical data

Materials

Fittings	Sanitary: CW602N, CW617N Heating: CW617N, CW614N
Seal	OHA-Press
Thermal insulation	EPP
Heat exchanger	Plates:1.4404, Solder: copper or nickel or screwed exchanger
Pipeline	1.4401

Sanitary

Max. operating pressure	PN 10
Domestic hot water temperature	60 °C
Domestic cold water temperature	10 °C
Domestic hot water output	173 kW at 75 °C Heating return, primary
Domestic hot water tap amount	approx. 45 l/min
Min. pre-pressure	1,5 bar

Controller

- › Microprocess-controlled controller with monitoring, operating and readout displays; with setting of desired parameters such as domestic hot water temperature, circulation temperature with time program or tap detection
- › Volume flow sensor in the cold water inlet for cold water, hot water, as well as heating flow and heating return
- › Recirculating pump UPS 25-80
- › Optional: circulation with recirculating pump UPS 25-60N (Pump still being clarified), and check valve and DVGW shut-off ball valve

Heating

Max. operating pressure	PN 6
Max. operating temperature	85 °C
Min. operating temperature	5 °C

Electrical

Power connection	230 V/ 50 Hz
Current consumption	up to 7,11 A
Power consumption	up to 0,985 kW

Dimensions

Width x height x depth	450 x 700 x 282,7 mm
Weight	approx. 24 kg without circulation approx. 27 kg with circulation

Article no.

102 401 3	FWS-V400-40 without circulation, 50 l/min
102 431 9	FWS-V400-40 with circulation, 50 l/min

↗ Output data

	Configuration for cold water heating of 10-60 °C		
	Heating flow 65 °C	Heating flow 70 °C	Heating flow 75 °C
Domestic hot water	max. 28 l/min	max. 37 l/min	max. 45 l/min
Pressure loss WT cold	0,19 bar	0,36 bar	0,55 bar
Domestic hot water output	98 kW	128 kW	155 kW
Heating flow	65 °C	70 °C	75 °C
heating return	36 °C	32 °C	29 °C
heating flow rate	2.900 l/h	2.900 l/h	2.900 l/h