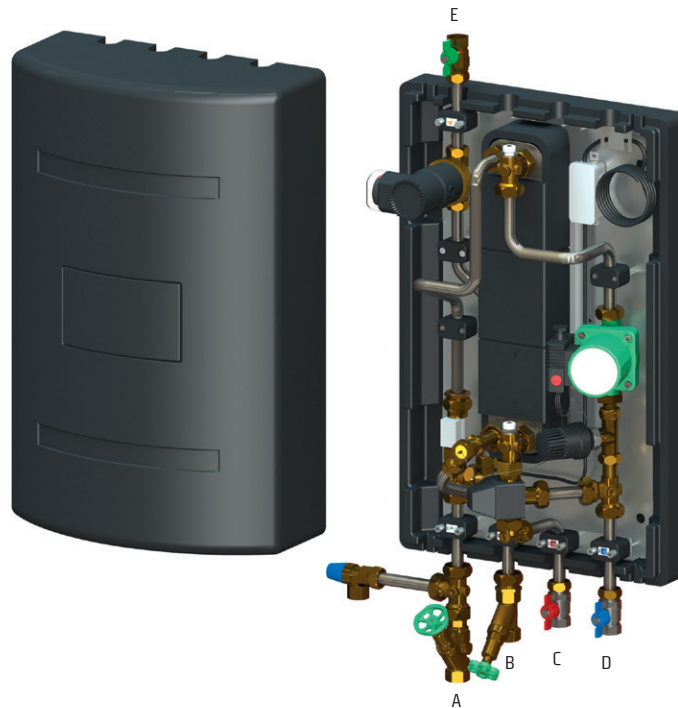


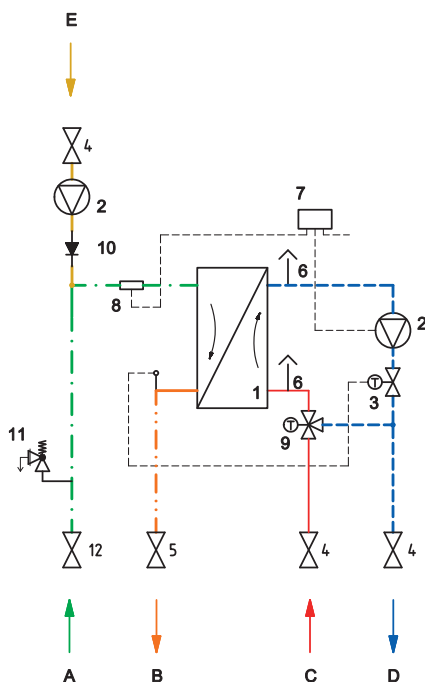
Fresh water unit FWS-V100

FWS-V100-14 with process water circulation
 FWS-V100-14 without process water circulation

➤ Equipment example with process water circulation



➤ Hydraulic diagram



- A Drinking water from the line
- B Domestic hot water home
- C Heating flow, primary
- D Heating return, primary
- E Process water circulation

- 1 Plate heat exchanger GBS 240H-14
- 2 Pump
- 3 Thermostatic hot water controller (TWR)
- 4 Shut-off ball valves
- 5 Free flow valve
- 6 Ventilation
- 7 Junction box
- 8 Flow sensor
- 9 Mixing machine
- 10 Backflow preventer
- 11 Safety group
- 12 Free flow valve with backflow preventer

↗ Technical data

Materials

Fittings	Sanitary: CW602N, CW617N Heating: CW617N, CW614N
Seal	OHA-Press
Thermal insulation	EPP
Heat exchanger	Plates: 1.4404 Solder: copper or nickel or screwed exchanger
Pipeline	1.4401

Sanitary

Max. operating pressure	PN 10
Domestic hot water temperature	Setting 40-60 °C
Domestic cold water temperature	10 °C
Domestic hot water output	up to 44 kW at 65 °C and domestic hot water 45 °C
Domestic hot water tap amount	approx. 18 l/min
Min. pre-pressure	1,5 bar

Heating

Max. operating pressure	PN 6
Max. operating temperature	85 °C
Min. operating temperature	5 °C

Electrical

Power connection	230 V / 50 Hz
------------------	---------------

Dimensions

Width x height x depth	450 x 700 x 282,7 mm
Weight	approx. 16 kg without circulation approx. 18.5 kg with circulation

Article no.

102 089 4	FWS-V100-14
------------------	-------------